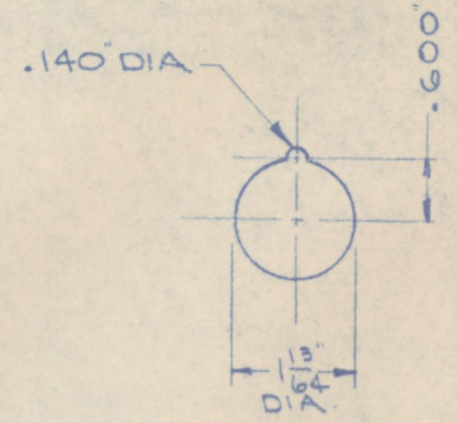
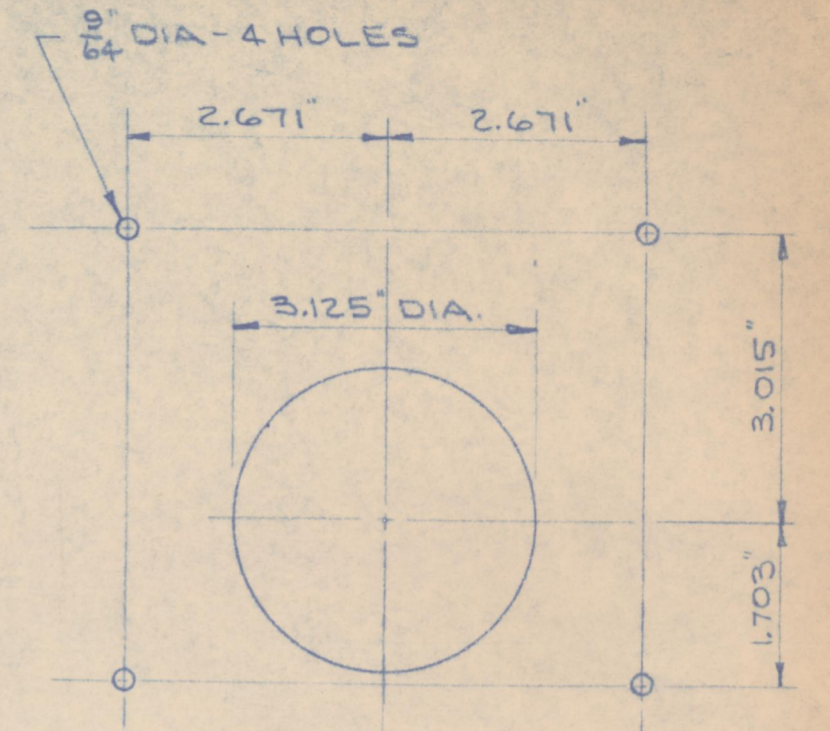


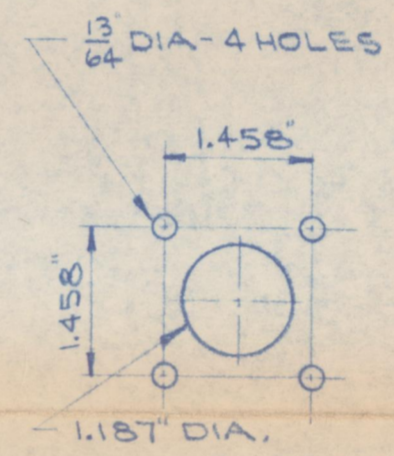
FRONT VIEW - CUTOUTS
SCALE: 1/2" = 1'-0"



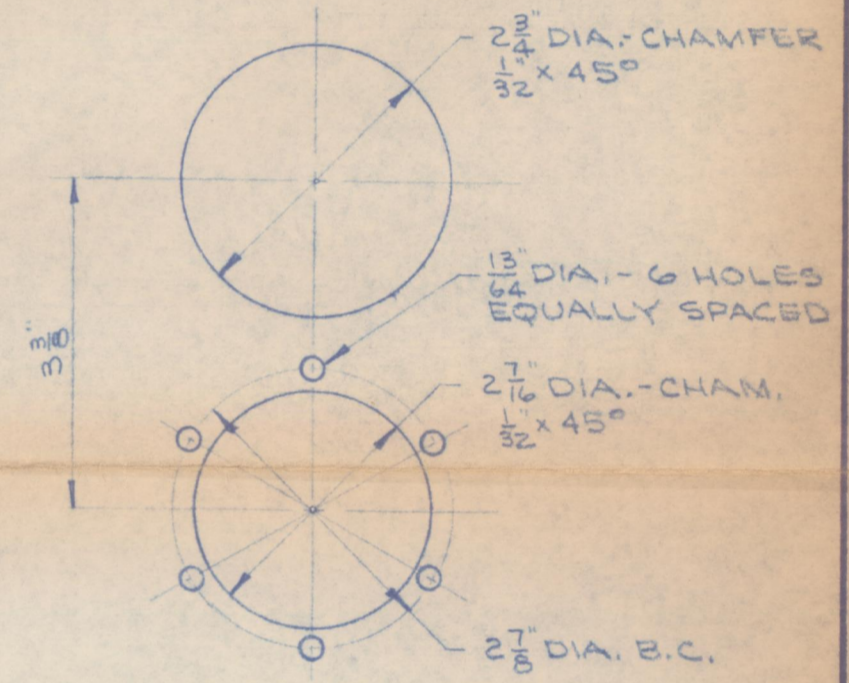
CUTOUT "C"
SCALE: HALF SIZE
5 REQ'D.



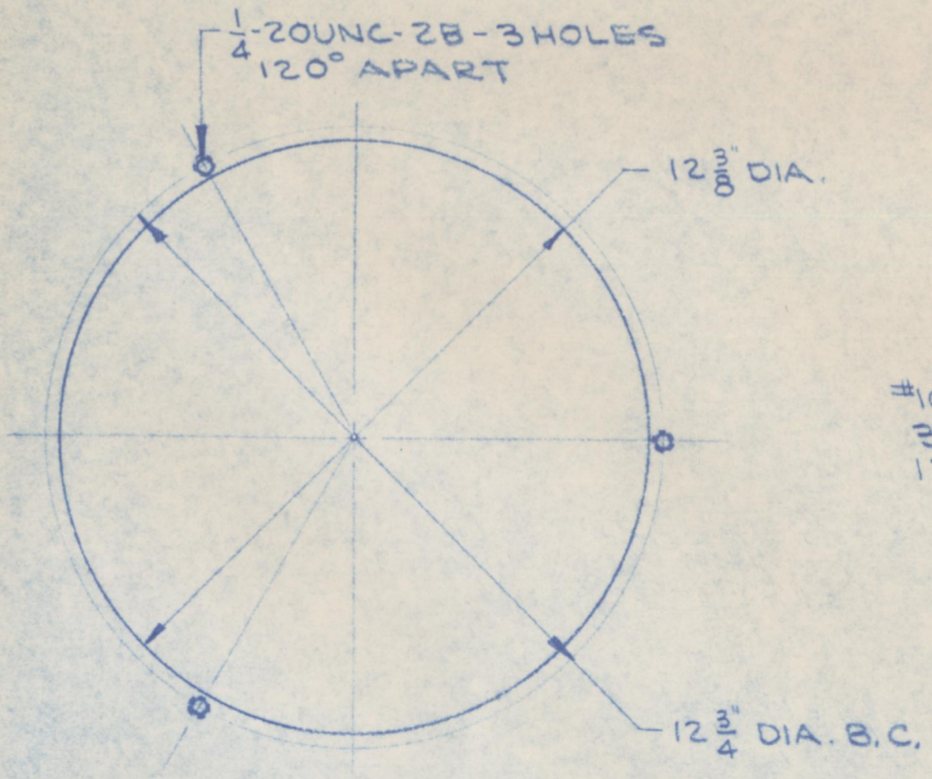
CUTOUT "D"
SCALE: HALF SIZE
4 REQ'D.



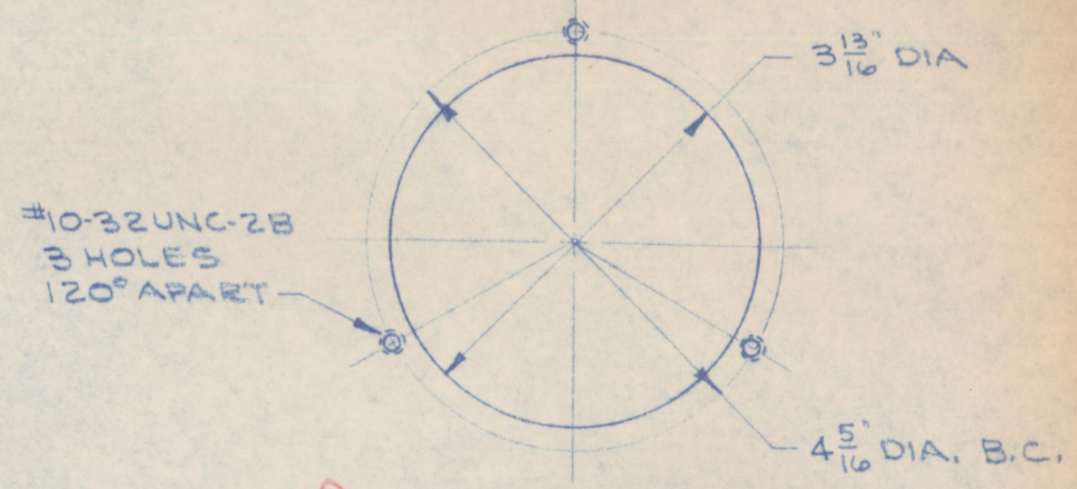
CUTOUT "E"
SCALE: HALF SIZE
1 REQ'D.



CUTOUT "F"
SCALE: HALF SIZE
1 REQ'D.



CUTOUT "G"
SCALE: QUARTER SIZE
1 REQ'D.



CUTOUT "H"
SCALE: HALF SIZE
1 REQ'D.

NOT CORRECTED



McCartney MFG. CO.
BAXTER SPRINGS KANSAS

HYDRAULIC CONTROL PANEL

UNLESS OTHERWISE SPECIFIED
TOLERANCE: FRACTIONS _____, DECIMALS _____
BREAK SHARP CORNERS AND EDGES _____ ALL OVER.
SURFACE FINISH _____ ALL OVER.

REV. Δ	REF. No. Δ
REV. Δ	REF. No. Δ
REV. Δ	REF. No. Δ

SCALE NOTED	DATE 12-12-63
MATL	HEAT TREAT DWG. LEP
	PART No. APPRD.
CATALOG No. SHEET 2 OF 2	DWG. No. C-571